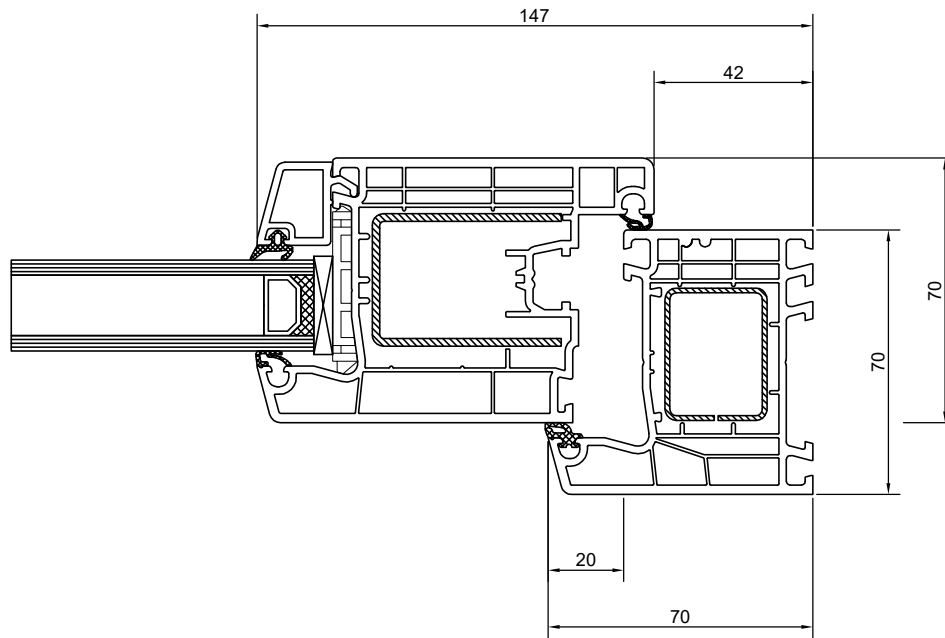
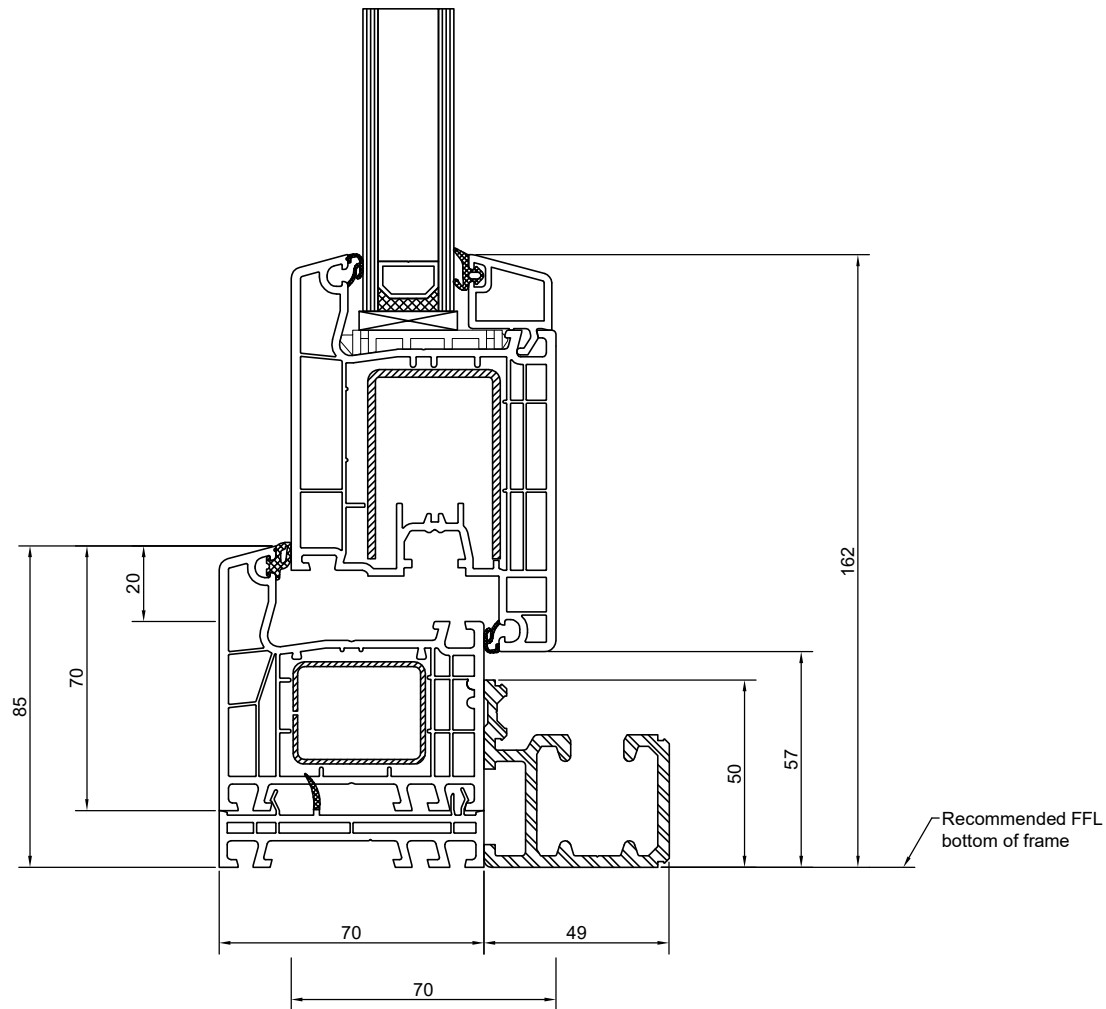


## Inwards Opening Bifold Head - Direct Fix



## Inwards Opening Bifold Jamb - Direct Fix



## Inwards Opening Bifold Sill w/ 15 mm Frame Extension - Direct Fix

## Inwards Opening Bifold Sill w/ 35 mm Frame Extension - Direct Fix

DISCLAIMER: All details are for indicative purposes only. Installation methods should comply with manufacturers recommendations and relevant NZ Building Code regulations & Standards.  
CONFIDENTIALITY: No part of this publication may be reproduced or transmitted other than the intended use by NK Window Solutions Ltd unless expressly agreed by the author.

System: Aluplast Ideal 4000  
Cladding: X  
Version: 1.00, FEB19  
Scale: 1 : 2

