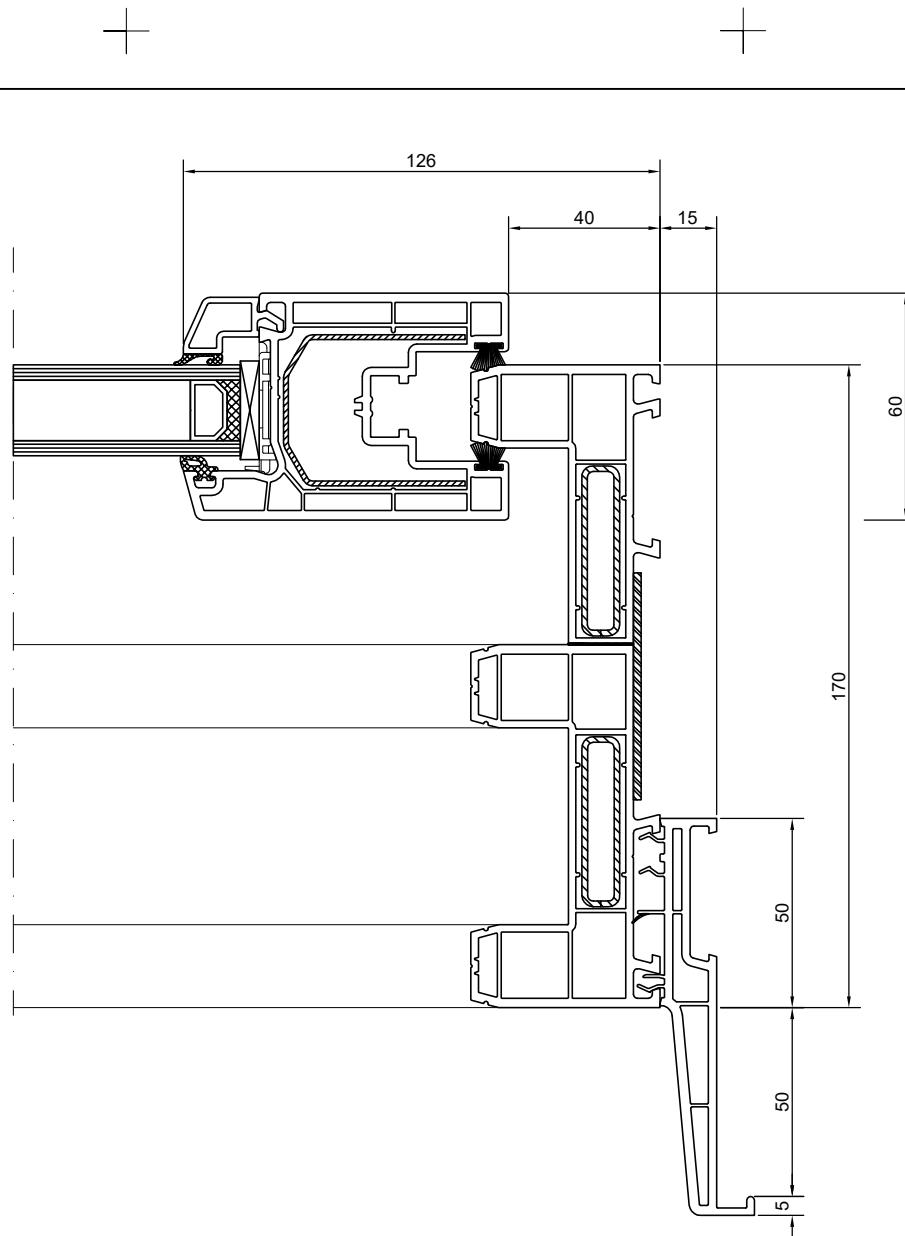


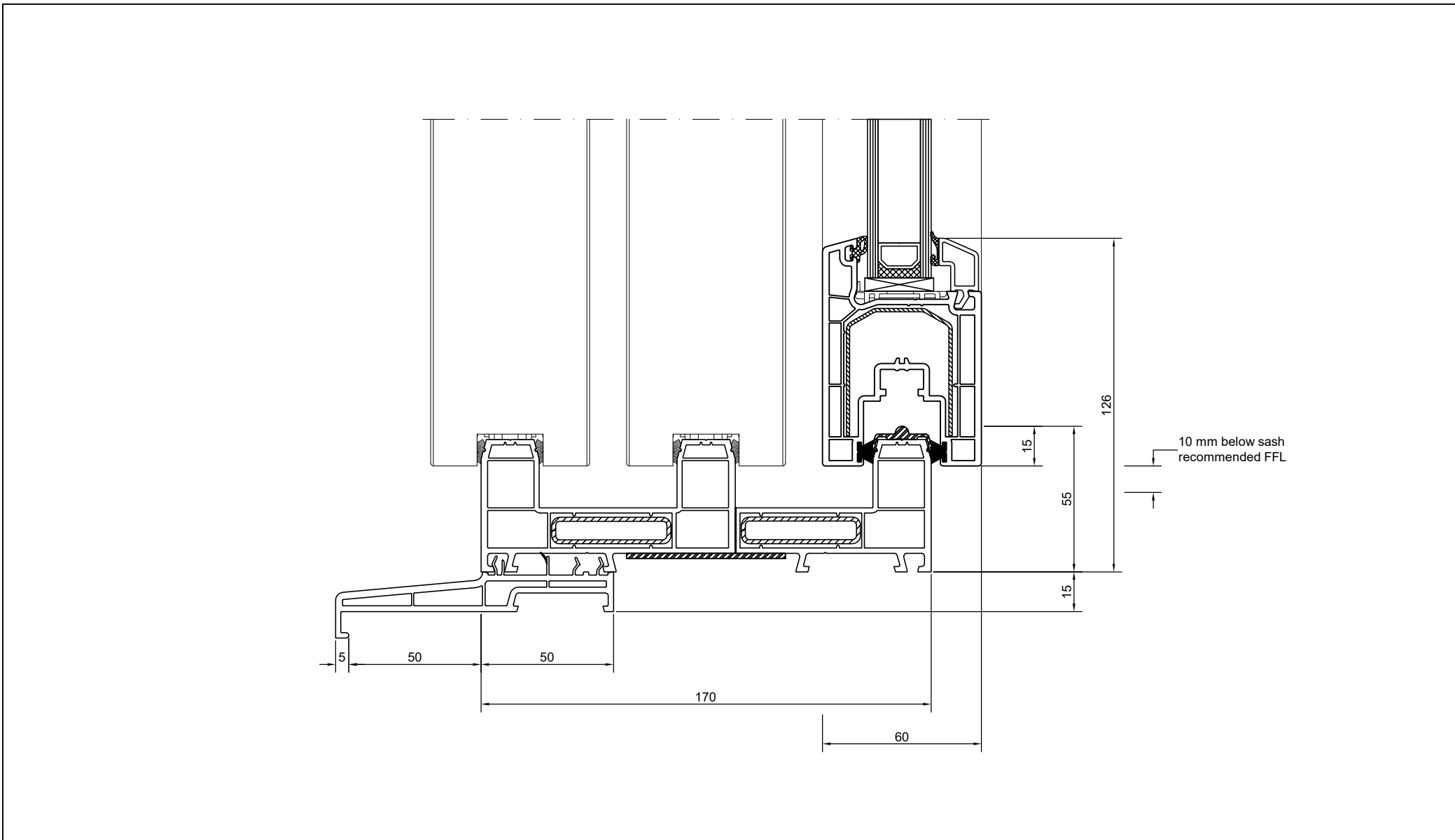
Multi-Slide Stacker Head - Direct Fix w/ 105 mm Sill

System: Aluplast Ideal 4000
 Cladding: X
 Version: 1.00, JAN19
 Scale: 1 : 2



Multi-Slide Stacker Jamb - Direct Fix w/ 105 mm Sill

System: Aluplast Ideal 4000
 Cladding: X
 Version: 1.00, JAN19
 Scale: 1 : 2



Multi-Slide Stacker Sill - Direct Fix w/ 105 mm Sill