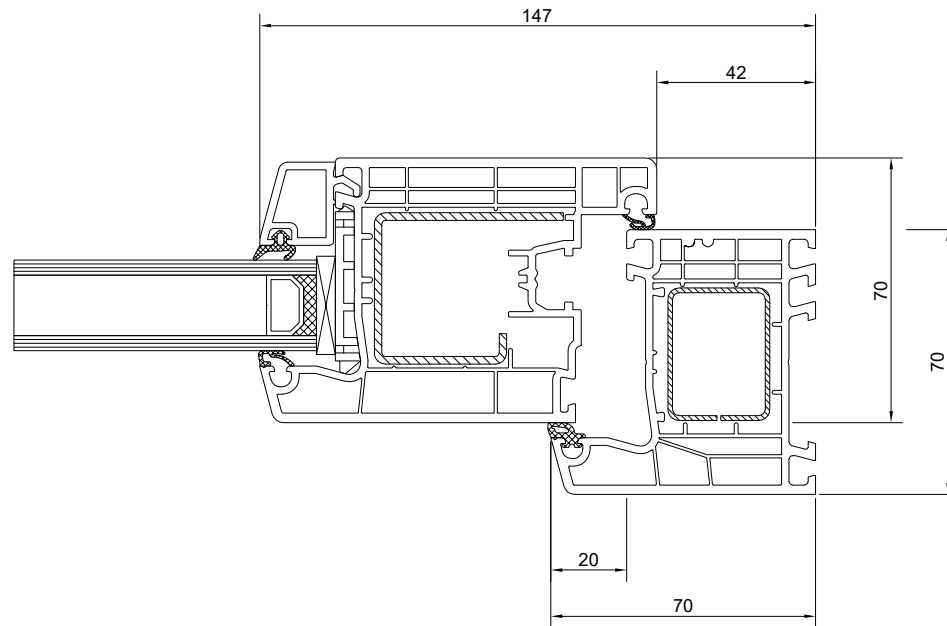
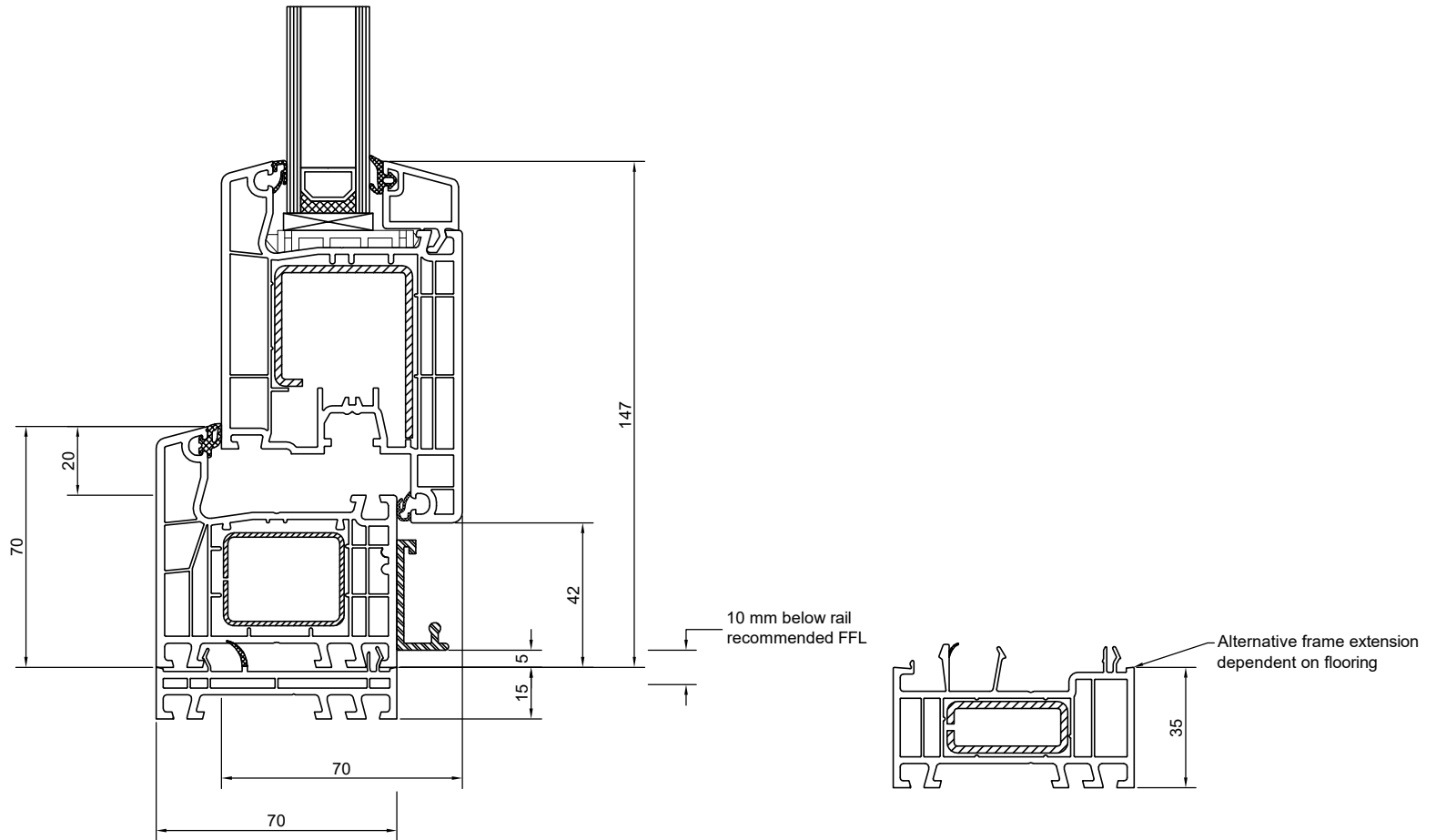


## Tilt & Slide Head - Direct Fix



## Tilt & Slide Jamb - Direct Fix



## Tilt & Slide Sill - Direct Fix