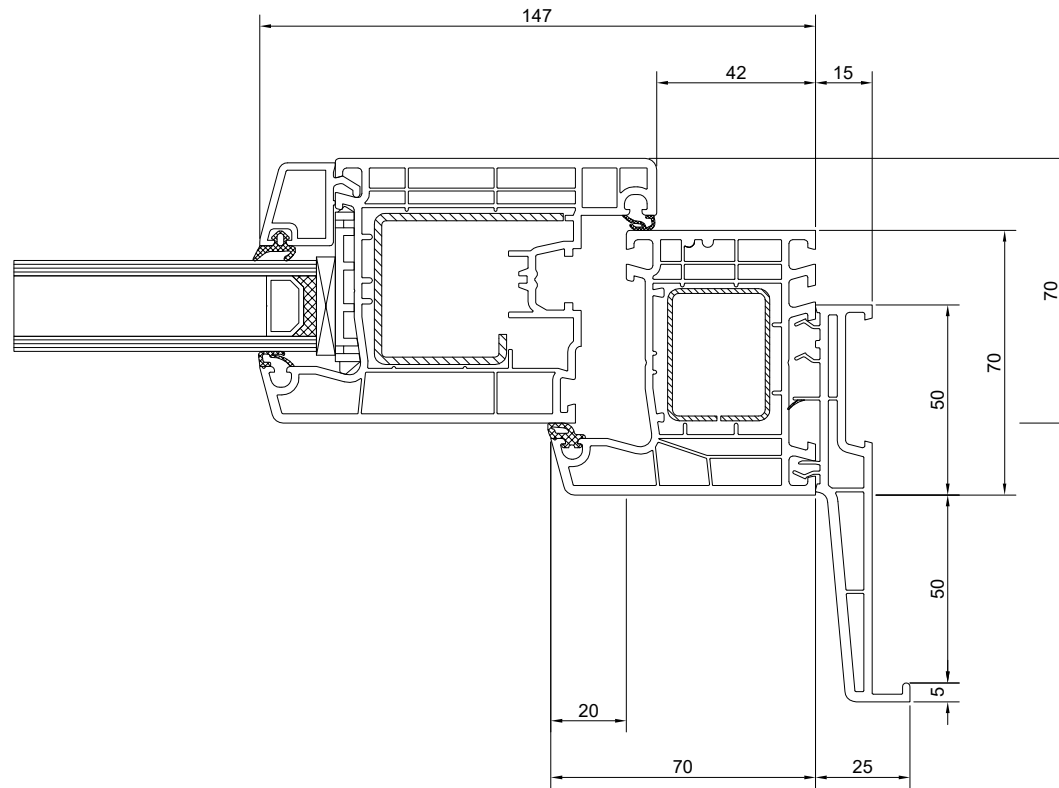


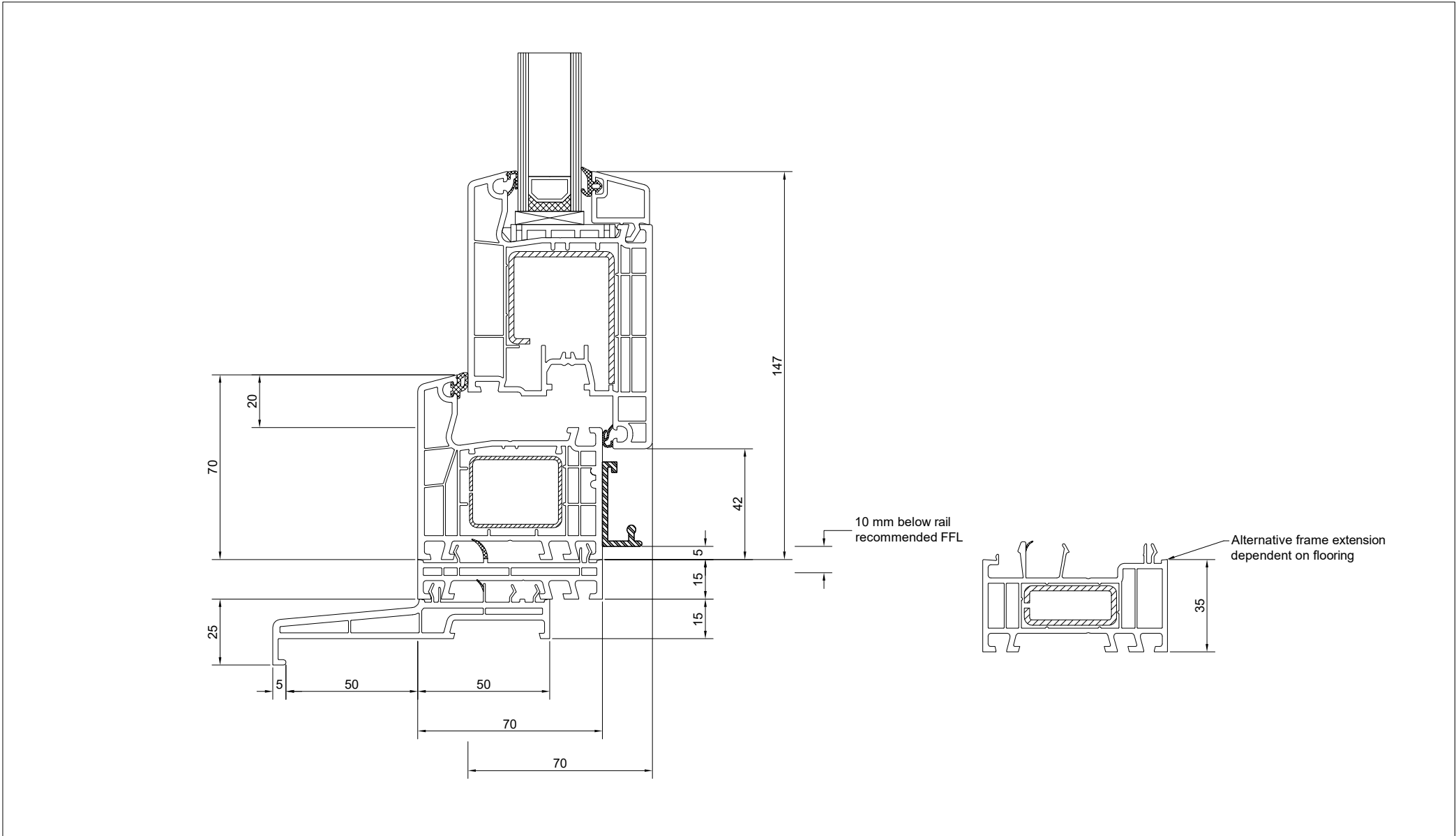
## Tilt & Slide Head - Direct Fix w/ 105 mm Sill

System: Aluplast Ideal 4000  
 Cladding: X  
 Version: 1.00, JAN19  
 Scale: 1 : 2



## Tilt & Slide Jamb - Direct Fix w/ 105 mm Sill

System: Aluplast Ideal 4000  
 Cladding: X  
 Version: 1.00, JAN19  
 Scale: 1 : 2



## Tilt & Slide Sill - Direct Fix w/ 105 mm Sill