

50mm long sealant strip
at both ends of flashings

Head flashing
with min 15° fall

Min clearance 5mm

Min cover 10mm

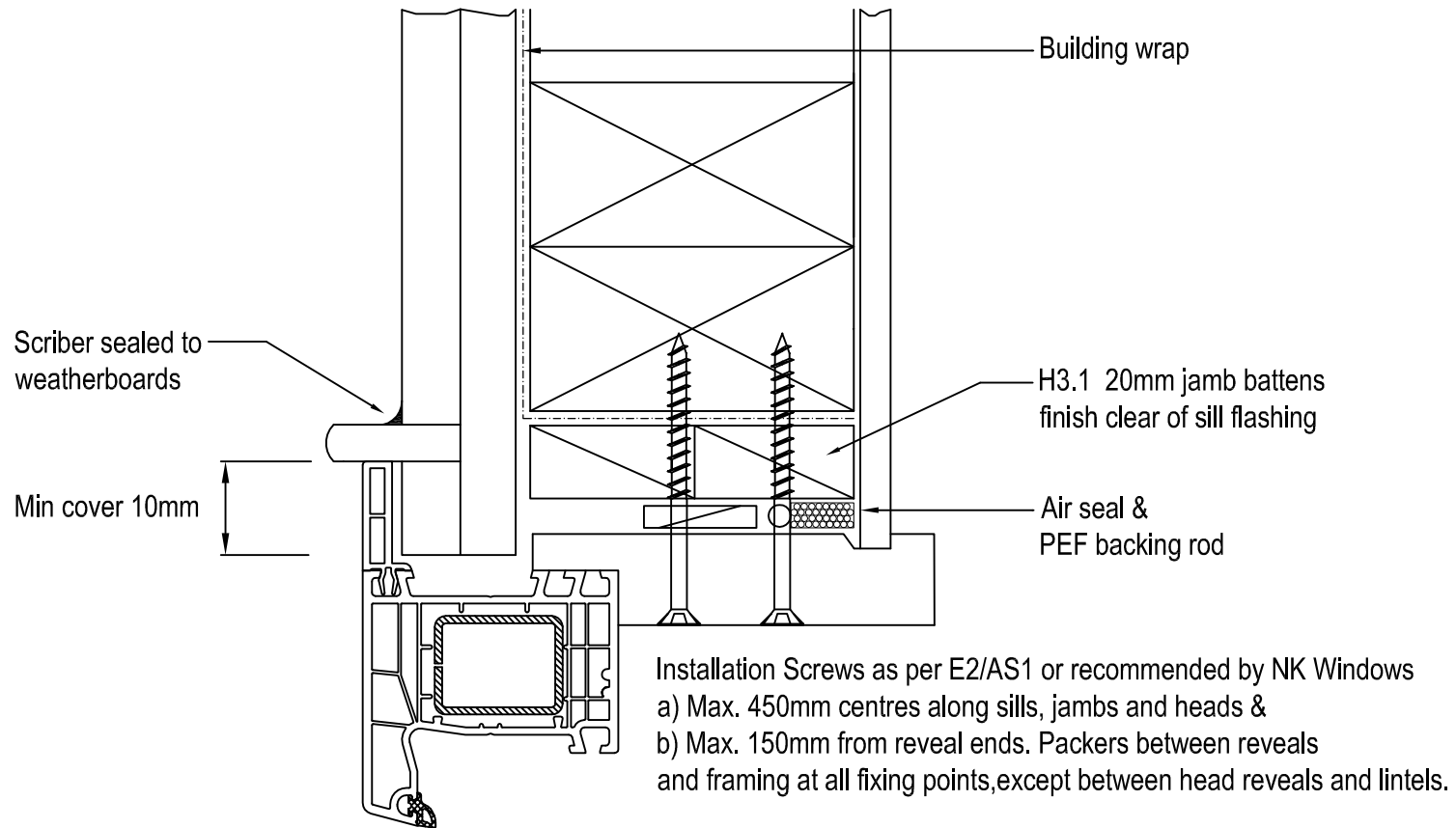
Sealant for VH wind zone

Proprietary tape or alternatively
additional layer of building
underlay over head flashing

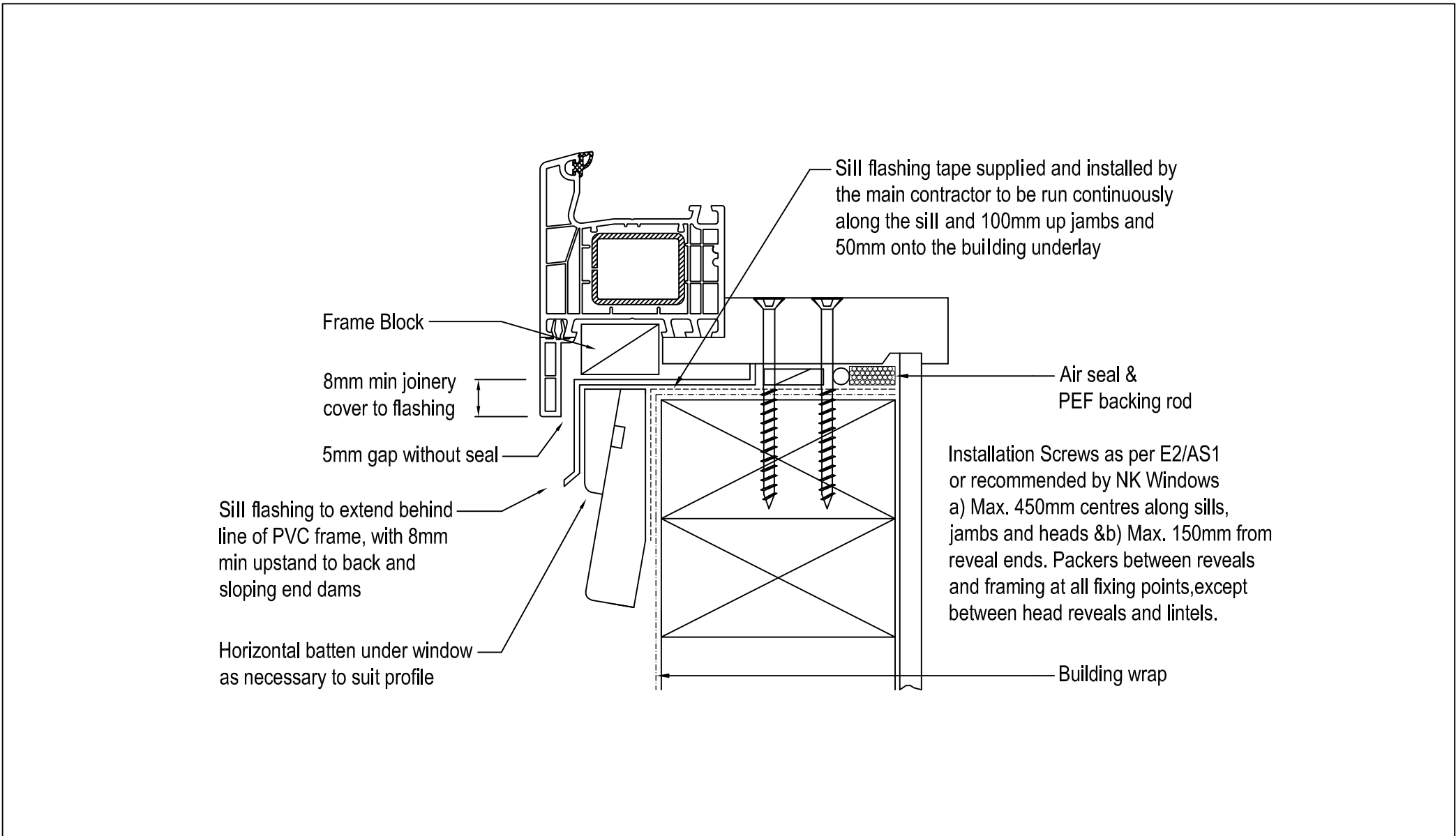
Building wrap

Air seal &
PEF backing rod

Installation Screws as per E2/AS1 or recommended by NK Windows
a) Max. 450mm centres along sills, jambs and heads &
b) Max. 150mm from reveal ends. Packers between reveals
and framing at all fixing points, except between head reveals and lintels.



Weatherboard Bevel Back Direct Fix Jamb



Weatherboard Bevel Back Direct Fix Sill