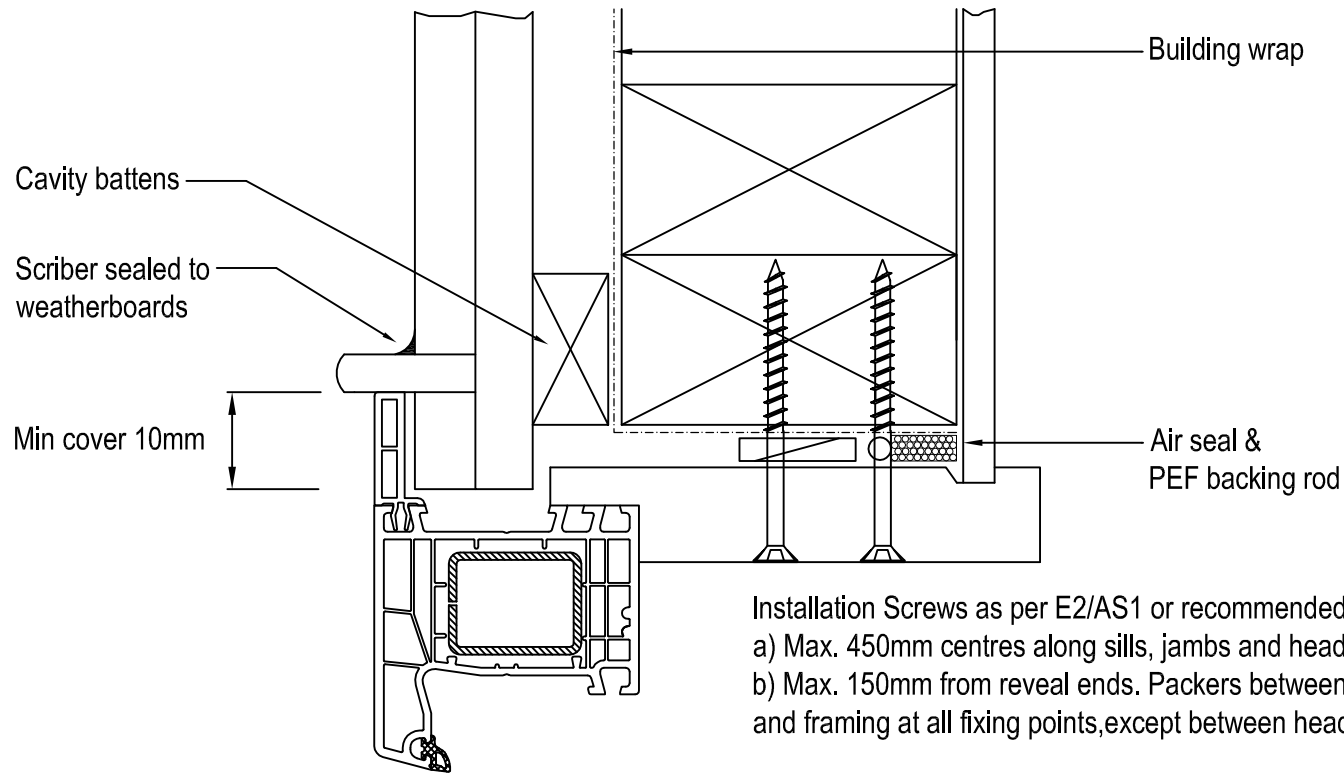


Weatherboard Bevel Back on Cavity Head



Weatherboard Bevel Back on Cavity Jamb

