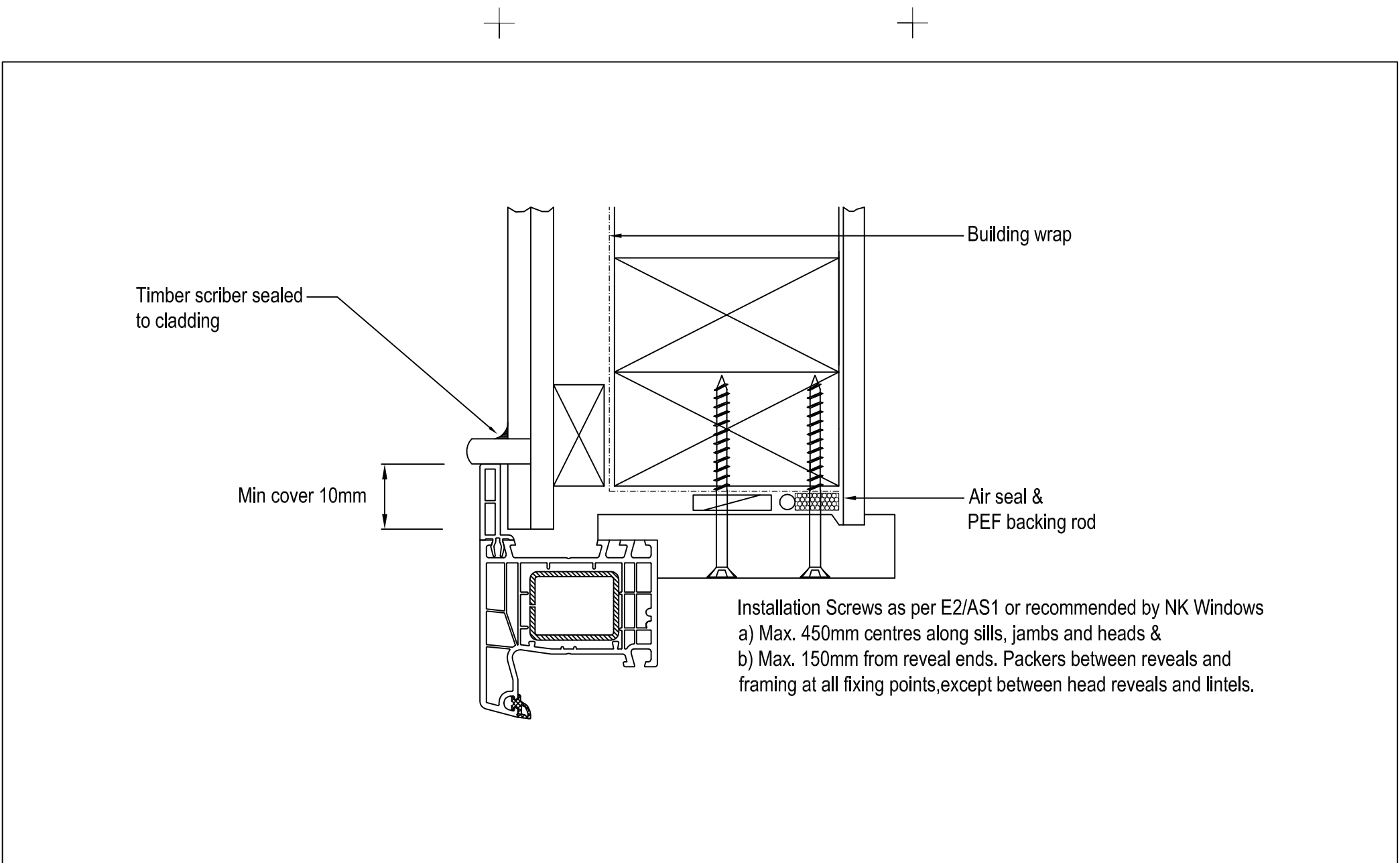
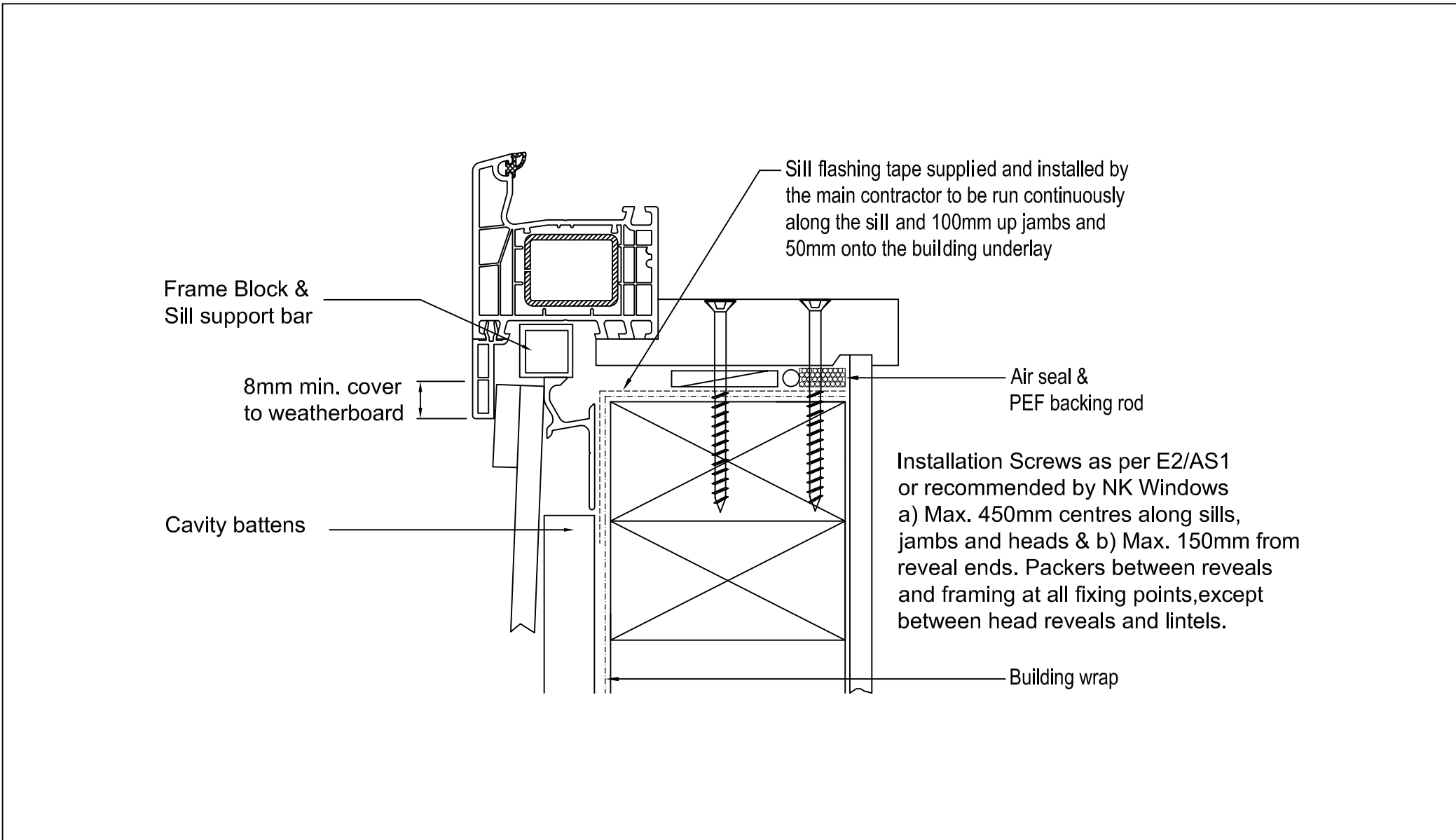


Weatherboard Fibre Cement on Cavity Head





Weatherboard Fibre Cement on Cavity Sill