

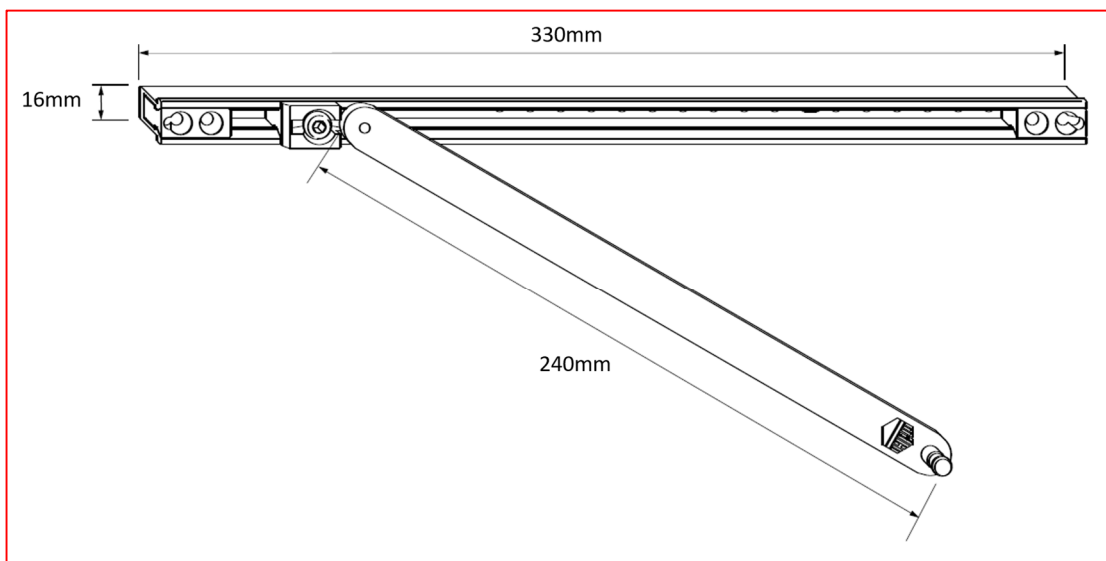
## Maco Tech 100 Brake Stay and Restrictor

For Outwards Opening Door Restriction up to 90°

Date: April 2018

### Overview

- The Maco Tech 100 is an adjustable 90° friction brake restrictor and stay for doors (and larger windows)
- Recommended screws No. 8 countersunk



## Maco Tech 100 Brake Stay and Restrictor

For Outwards Opening Door Restriction up to 90°

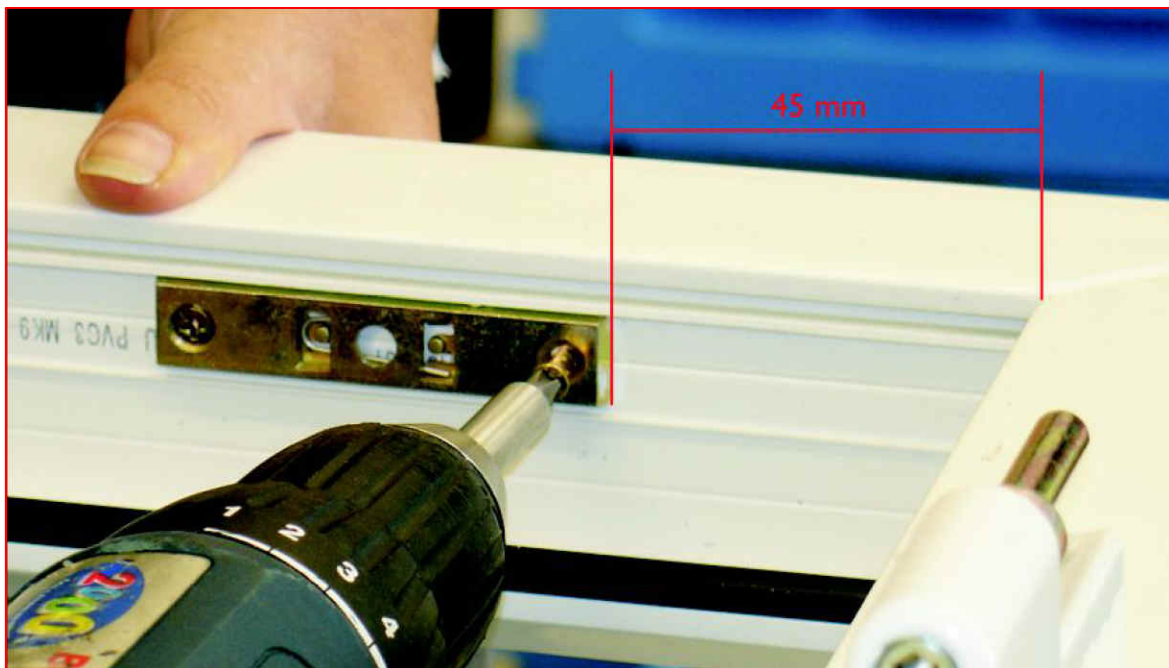
Date: April 2018

### Installation

1. Position the Tech 100 stay onto the head of the door sash 105mm from the sash rebate corner on the hinge side.



2. Position the striker plate behind the bead groove on the outer frame 45mm from the corner and screw into position.



## Maco Tech 100 Brake Stay and Restrictor

For Outwards Opening Door Restriction up to 90°

Date: April 2018

3. After hanging the sash, clip the arm of the stay into the striker plate. Should additional friction be required simply tighten the hexagonal screw within the stay.

